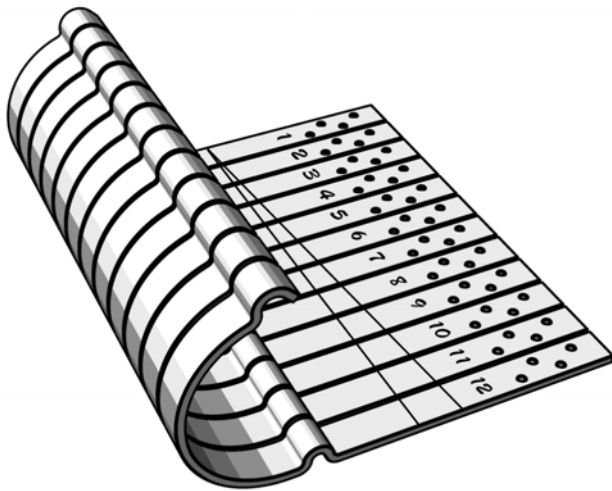


Rainwater systems

Special installation instructions





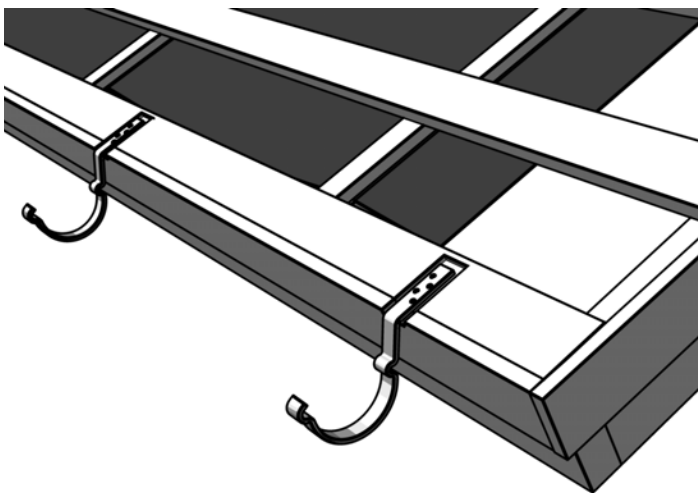
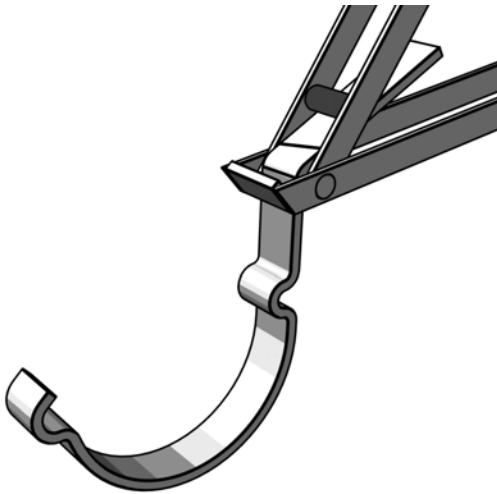
Long brackets for installation on the top of the first batten or directly on rafters will be bent separately to obtain the correct drainage slope.

Calculate the slope required for the eaves. The recommended slope towards the downpipe is about 2–3 mm/metre.

Position the brackets one next to another, number them, and mark the bending location on the basis of the gutter slope.

If the eaves line is not straight, the brackets will be marked and bent separately.

Bend the brackets according to the markings.



Fix the brackets to the top of the first batten or directly on rafters with galvanised nails or screws.

If needed, create a groove in the batten to level the brackets' and the batten's top surface.

The distances between brackets should be ~900 mm.

The installation methods presented in the installation instructions are for guideline purposes. The required method of installation may vary slightly depending on the roof type or country of installation. For special instructions, updates and more installation tips visit our web site at [www.ruukkihome.com](http://www.ruukkihome.com)

For general installation instructions and guidance, follow the structural designer's instructions or contact our technical support department.

